



The ultimate IoT company

WIOT-HUB Device

Brochure

English



WIOT-HUB

The digitalization of water

Transformation of water management towards sustainability has found the need of having the updated data for detecting possible problems or to be able to make real-time decisions based on data to optimize the resources.

In Fivecomm, we are concerned about how important it is to take care about water in today's world. For that purpose, we are thrilled to present the WIOT-HUB, a device that allows to wirelessly gather the information of all your water meters and sends it to a centralized management platform for improving data-driven decisions.

The digitalization of water is here.

Applications

Gather all your water meters information and send it to your data visualization platform with just one device by using the wireless M-Bus technology and the IoT.

The WIOTHUB can be deployed in 5 minutes as it is completely wireless, autonomous, and has a long-lasting battery. Just place it in a wall and turn it on.

A cost-efficient solution that can report up to 30 water meters data and read a total of 150 meters with only one HUB.

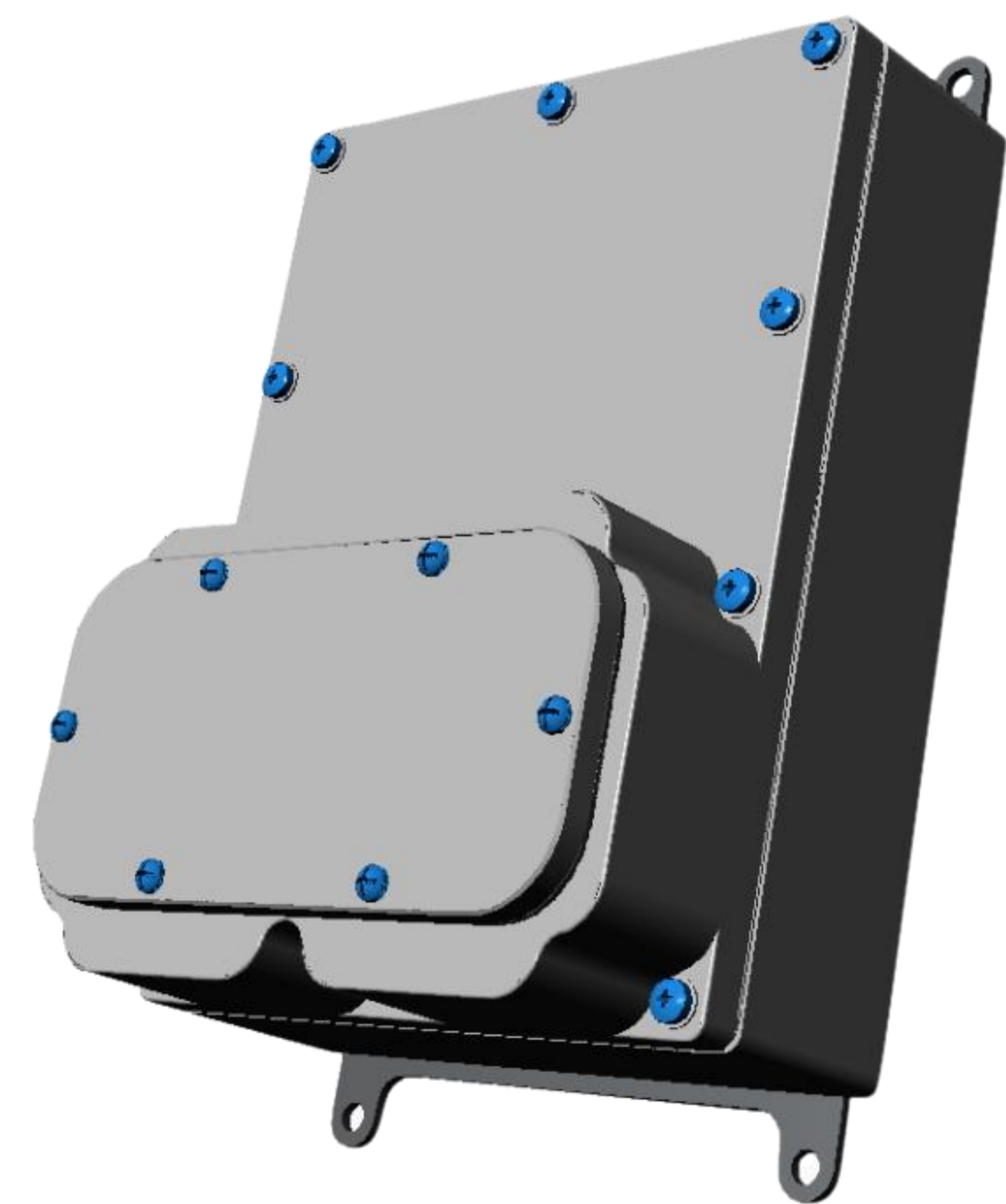
Some benefits from using the WIOTHUB solution:

- Effectively monitor water consumptions
- Early detection of water losses
- Detect tendencies and anomalies in the use of the water
- All data in one place



Specifications

- Wireless M-Bus in bands 868 MHz and 433 MHz
- Worldwide NB-IoT and Cat-M connectivity
- Replaceable battery with a 12 years autonomy
- Completely autonomous: no wires, no maintenance
- Remote firmware update
- IP67 protection
- Hourly updated information from all meters
- Flexible API for accessing the data
- Encrypted data for a secure communication
- MQTT and COAP protocols supported



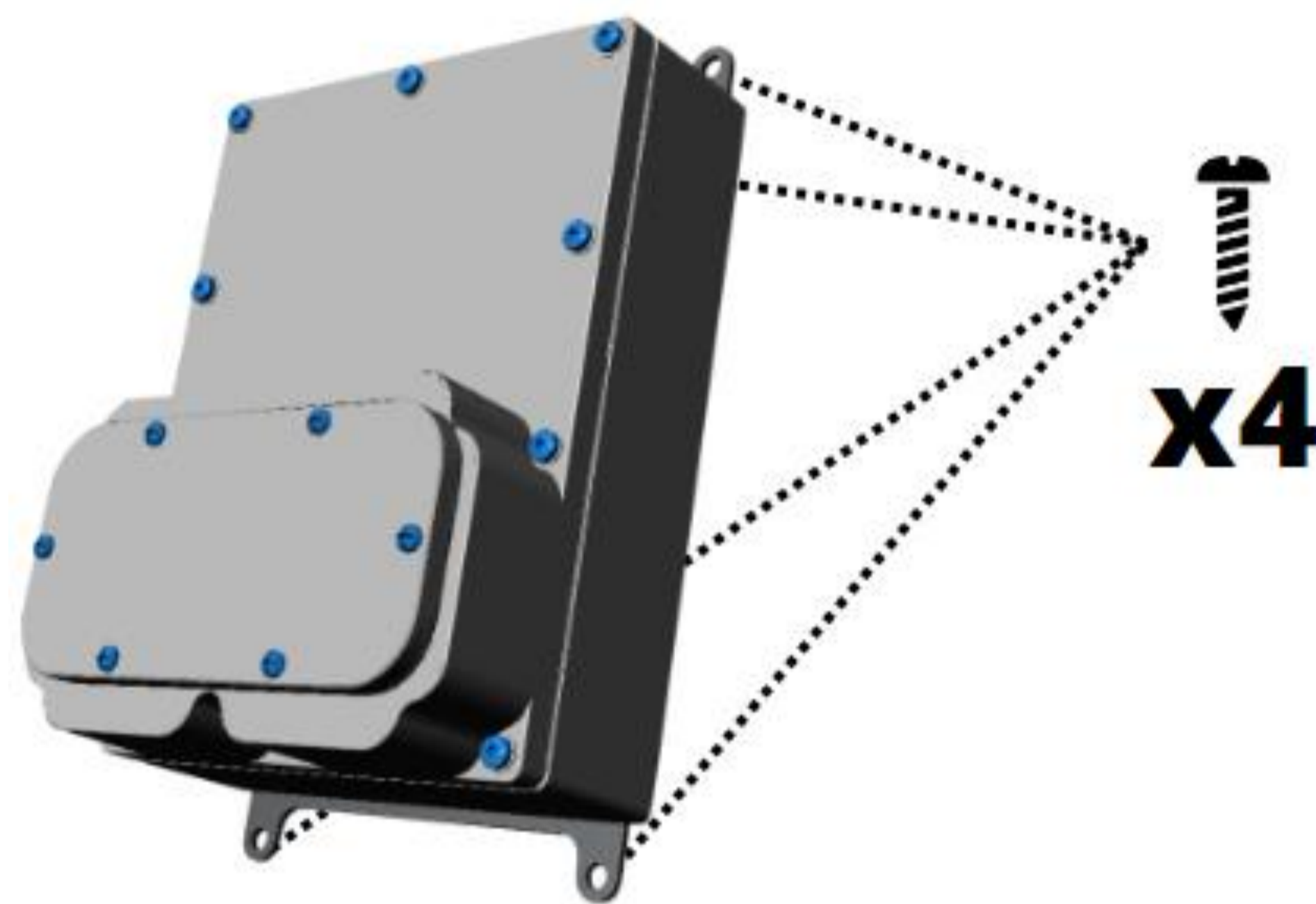
WIOT-HUB

Deployment in 3 steps

1. Wall installation
2. Magnet activation
3. Auto-integration

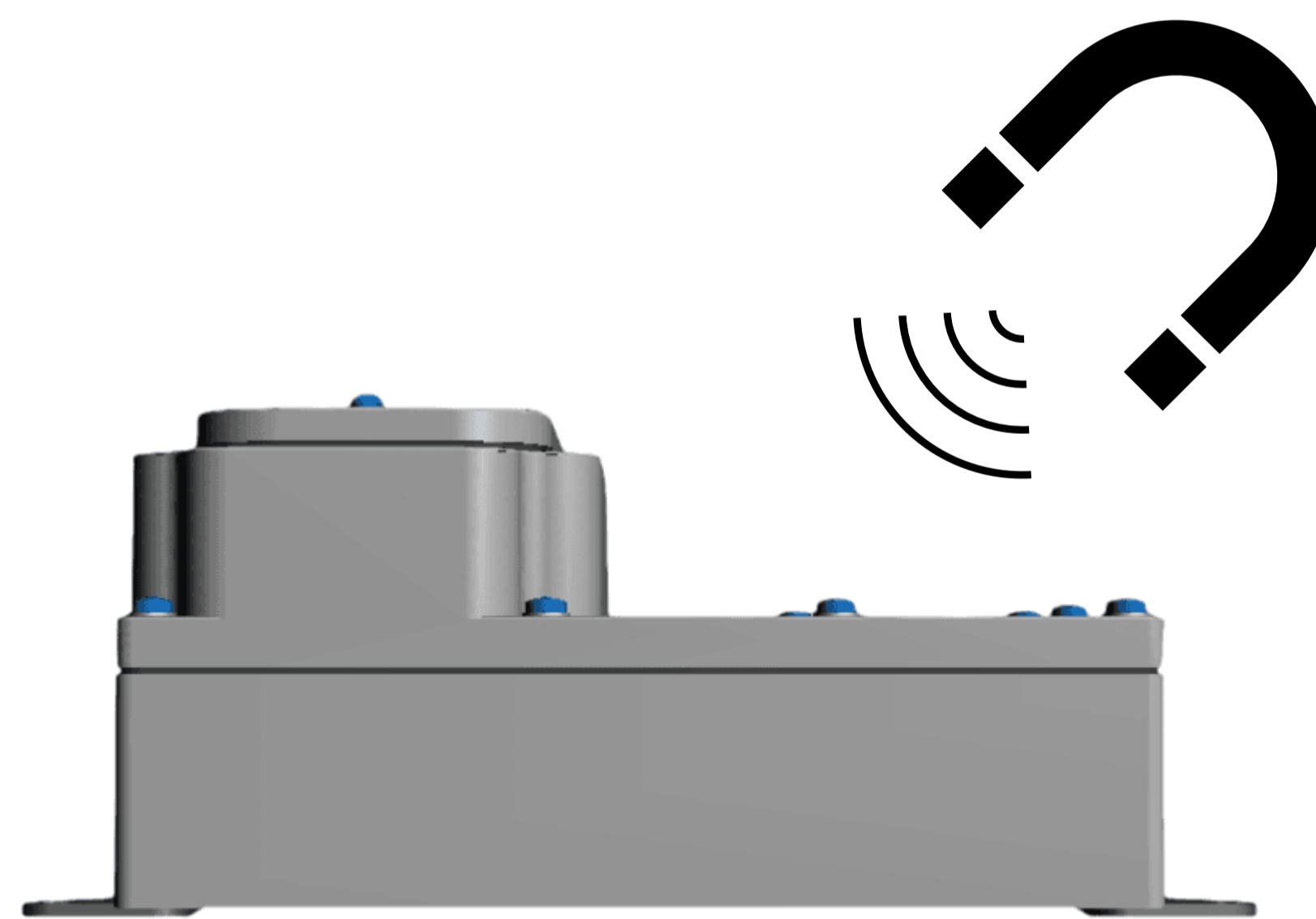


Fast & Flexible
Installation



No need of
additional elements

Zero touch Auto-
integration



Magnet
activation & app
validation

API for getting
real-time data



Integration in any
data visualization
platform

WIOT-HUB

Key Benefits

- Up to 12 years autonomy
- Plug & Play installation
- High security
- No maintenance
- High scalability
- All wMBus meters supported



Why WIOT-HUB?

12
years

Battery life

< 5 min
Deployment

Plug & Play

Encrypted
data

High security

Zero
maintenance

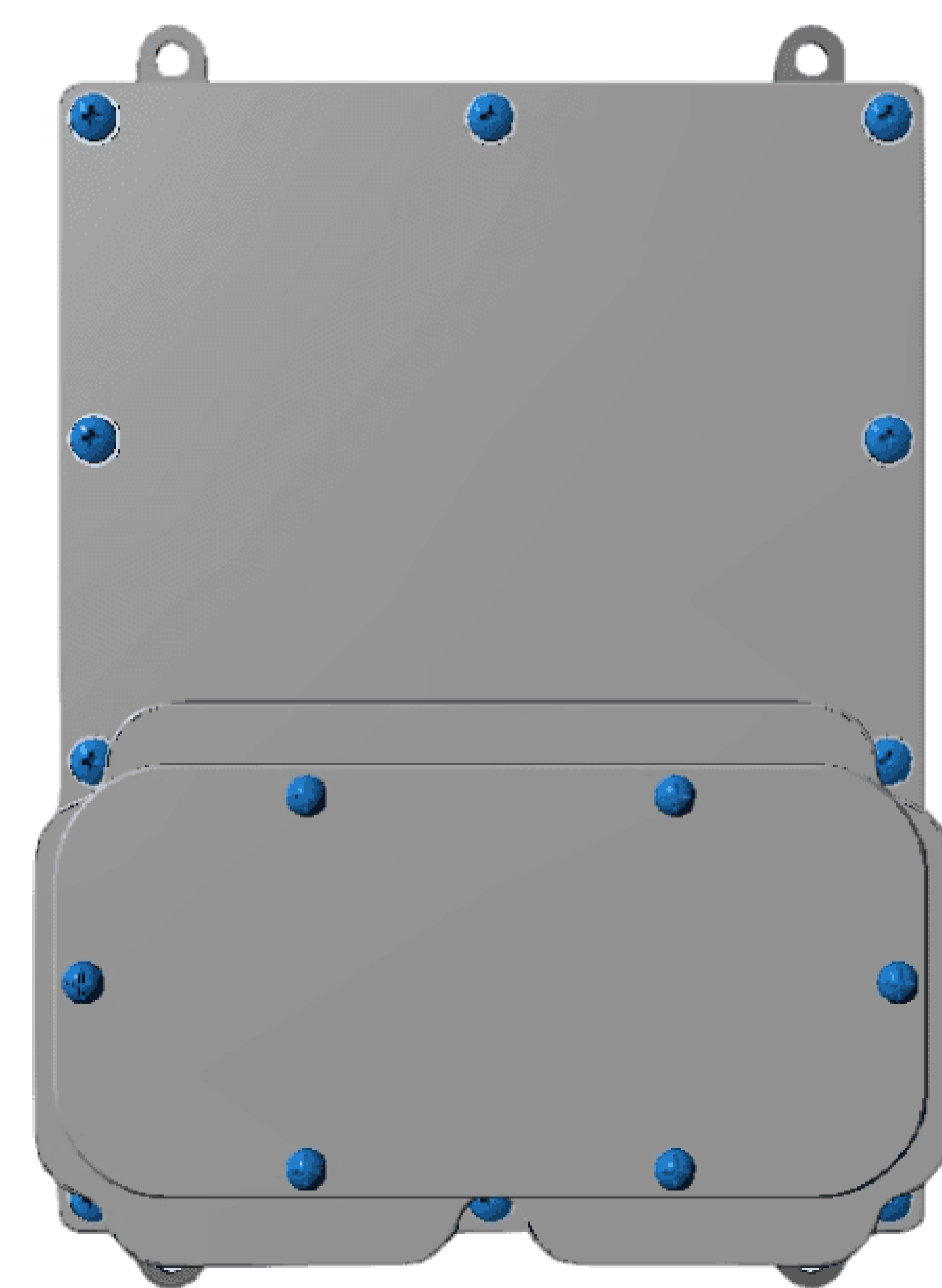
Cost efficiency

Flexible
deployment

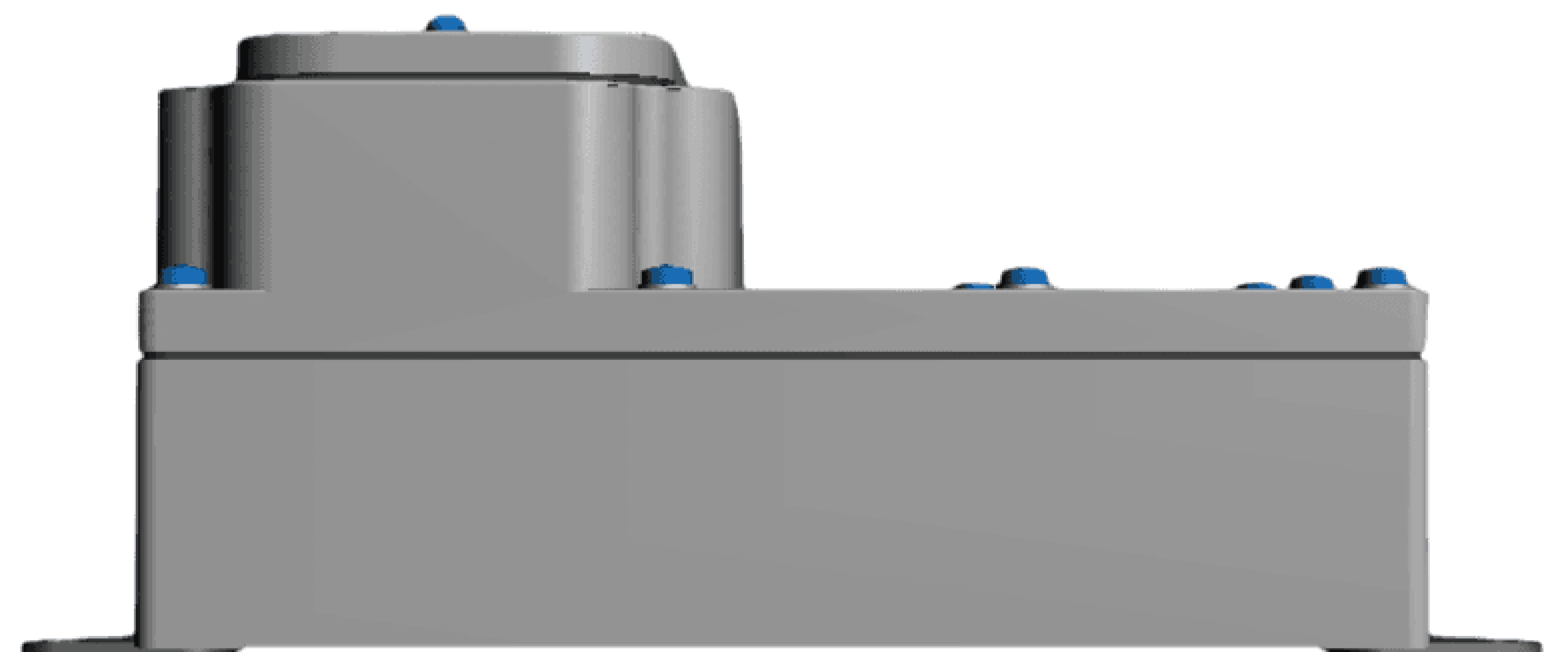
High scalability

All modes
T1, C1, S1

Wireless M-Bus



**All-included
compact box**





WIOT-HUB, FOR A MORE SUSTAINABLE WORLD

contact@fivecomm.eu

www.fivecomm.eu